

FAG

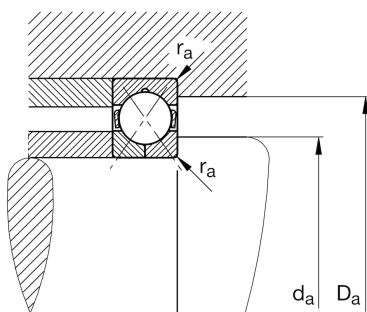
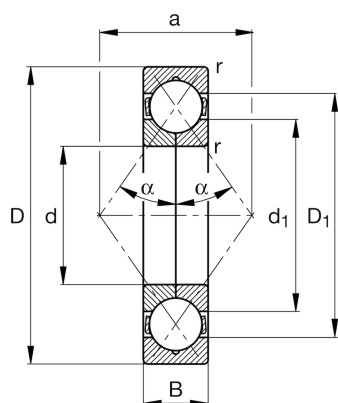
## QJ308-XL-MPA

Four-point contact bearing

Schaeffler ID:  
0167424940000Four point contact bearing QJ3.-XL-MPA,  
X-life, solid brass cage

X-life

## Technical information



## Main Dimensions &amp; Performance Data

d	40 mm	Bore diameter
D	90 mm	Outside diameter
B	23 mm	Width
$C_r$	84,000 N	Basic dynamic load rating, radial
$C_{0r}$	62,000 N	Basic static load rating, radial
$C_{ur}$	4,350 N	Fatigue load limit, radial
$n_G$	15,400 1/min	Limiting speed
$n_{gr}$	6,400 1/min	Reference speed
	0.755 kg	Weight

## Dimensions

$r_{min}$	1.5 mm	Minimum chamfer dimension
$D_1$	73.4 mm	Shoulder diameter outer ring
$d_1$	56.7 mm	Shoulder diameter inner ring
a	46 mm	Distance between the apexes of the pressure cones
$\alpha$	35 °	Contact angle

## Mounting dimensions

$d_{a min}$	49 mm	Minimum diameter shaft shoulder
$D_{a max}$	81 mm	Maximum diameter of housing shoulder
$r_{a max}$	1.5 mm	Maximum fillet radius

## Temperature range

$T_{min}$	-30 °C	Operating temperature min.
$T_{max}$	150 °C	Operating temperature max.